

UNLESS OTHERWISE SPECIFIED:
 DIMENSIONS ARE IN INCHES
 SURFACE FINISH:
 TOLERANCES:
 LINEAR:
 ANGULAR:

DO NOT SCALE DRAWING REVISION

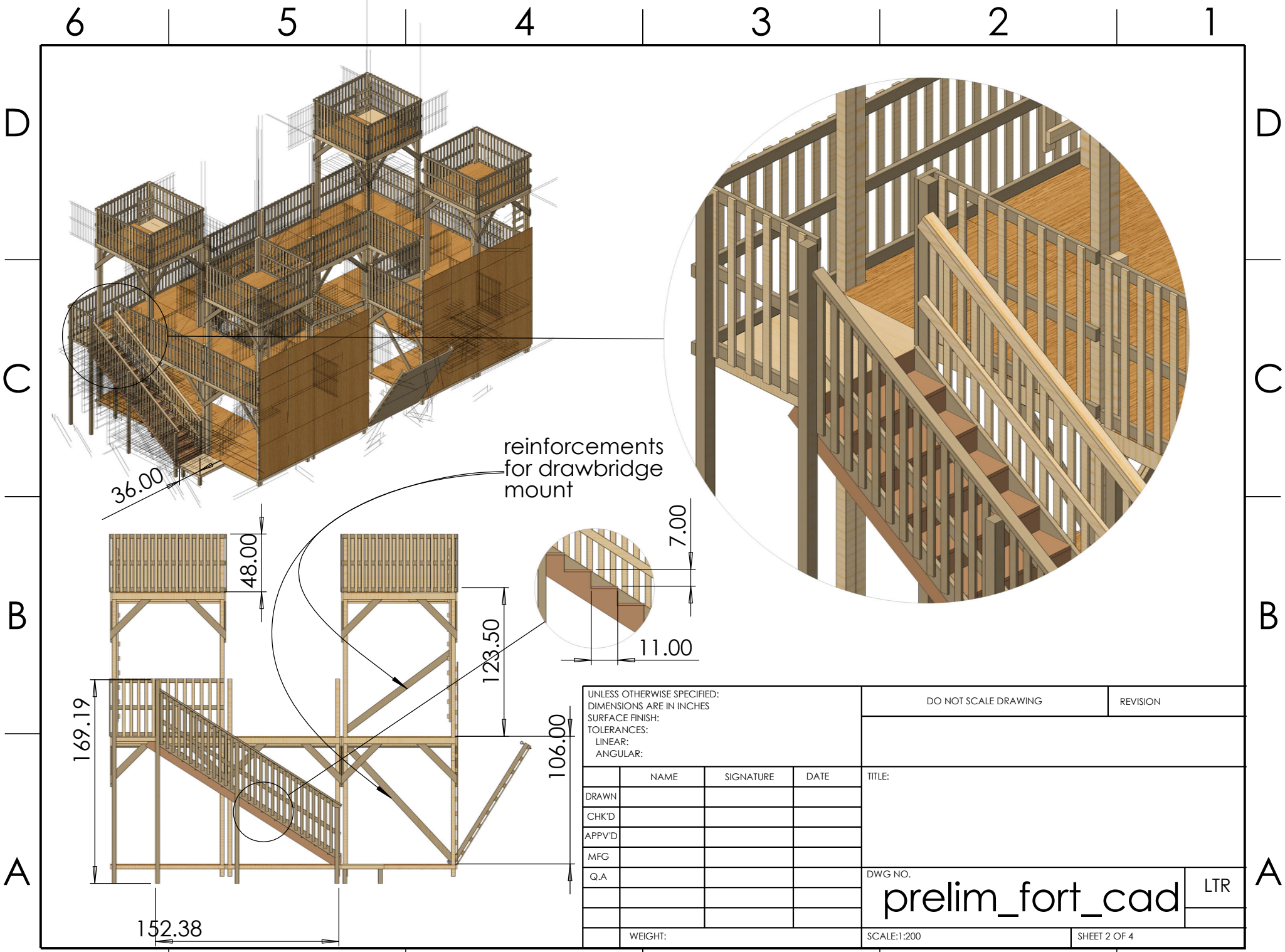
	NAME	SIGNATURE	DATE	TITLE:
DRAWN				
CHK'D				
APP'V'D				
MFG				
Q.A				

DWG NO.
prelim_fort_cad LTR

WEIGHT:

SCALE:1:200

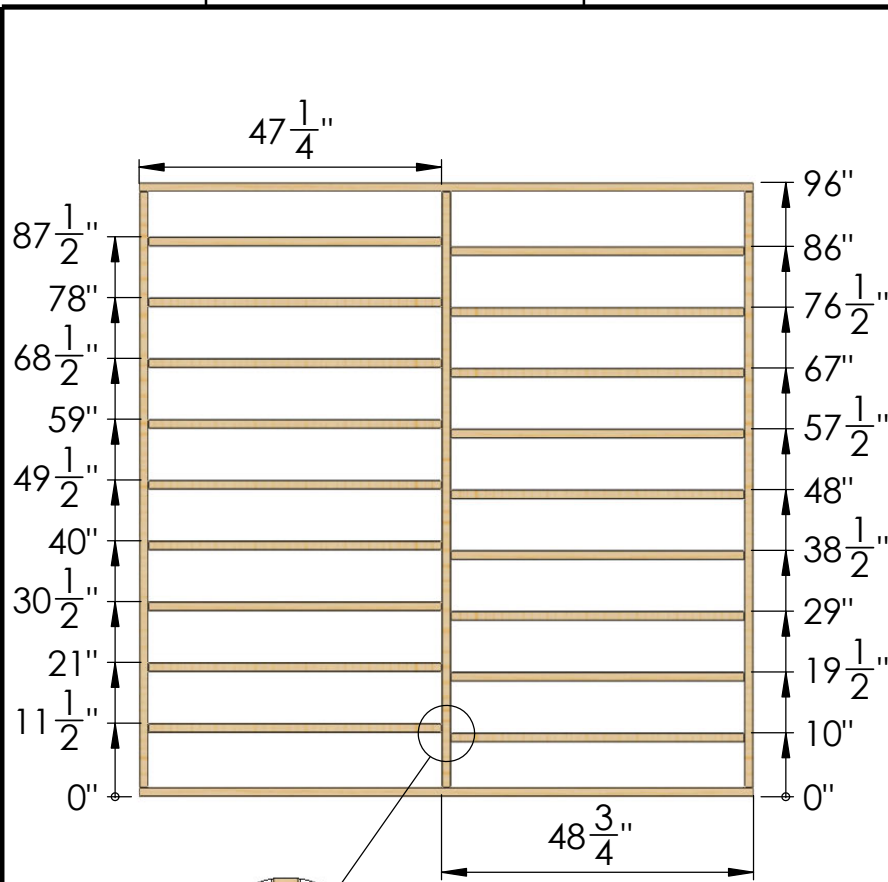
SHEET 1 OF 4



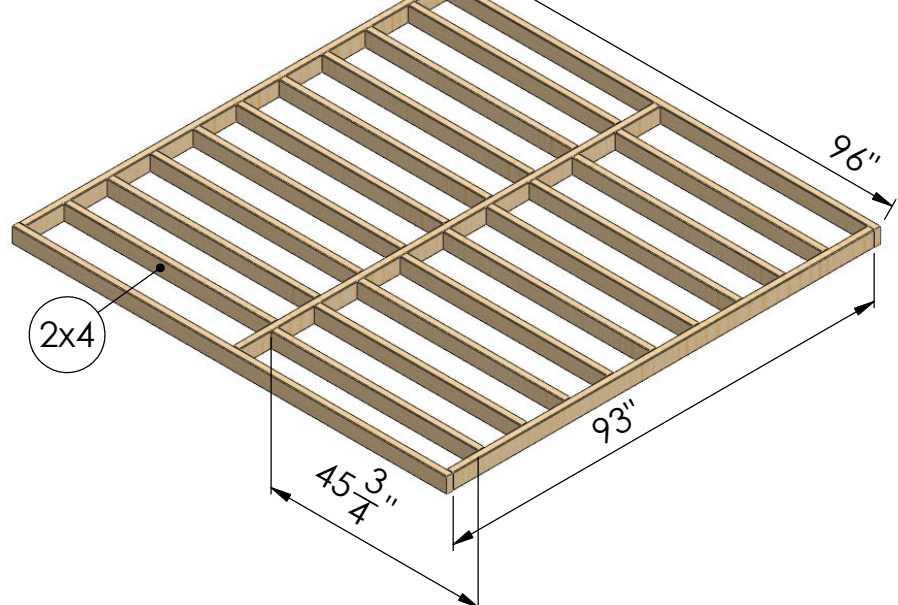
6 5 4 3 2 1

D

D



Open framewithplywood.SLDASM before opening this otherwise solidworks will rollback configurations



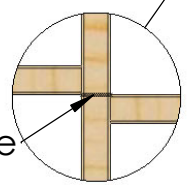
C

C

B

B

DESCRIPTION	LENGTH	QTY.
		1
LUMBER 2 X 4	45 3/4"	18
LUMBER 2 X 4	96"	2
LUMBER 2 X 4	93"	3



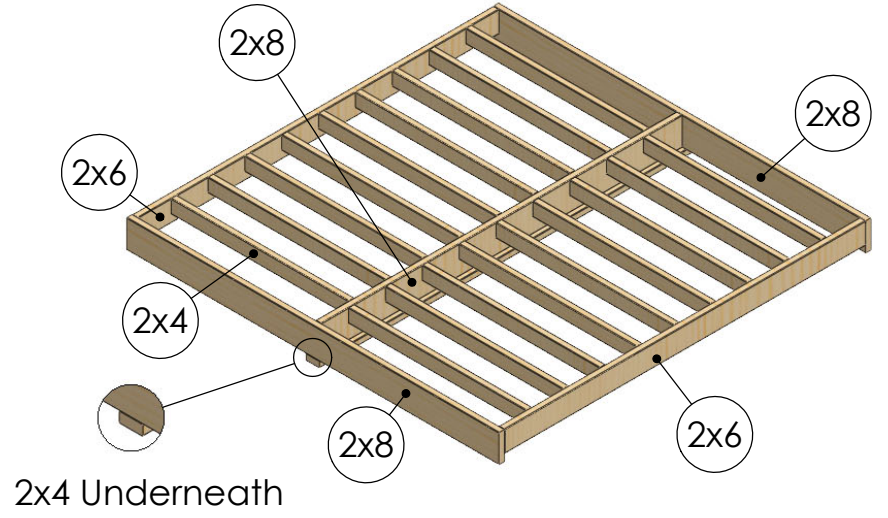
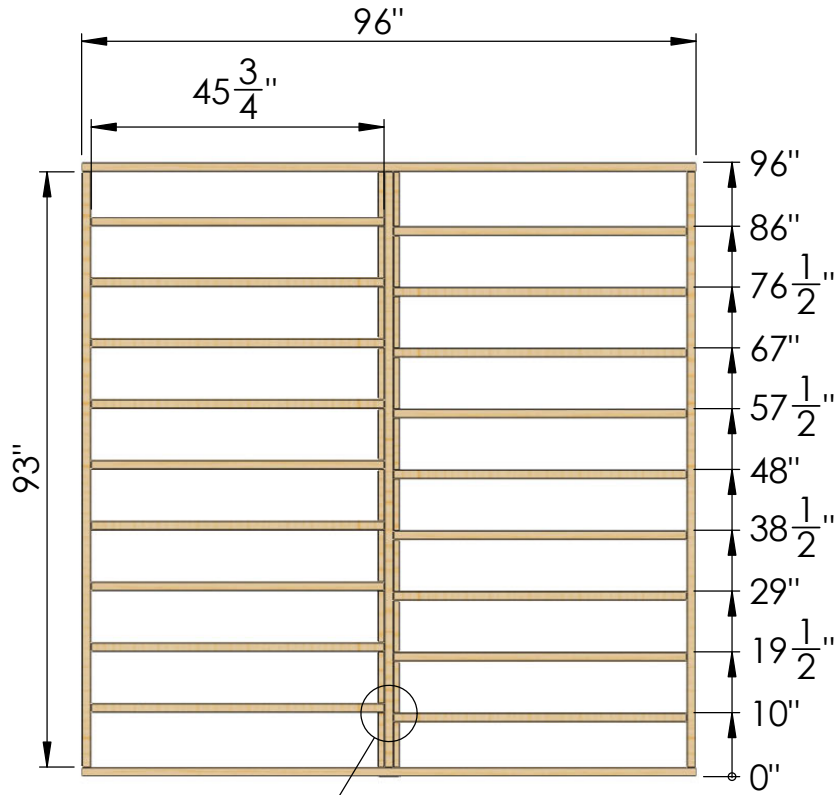
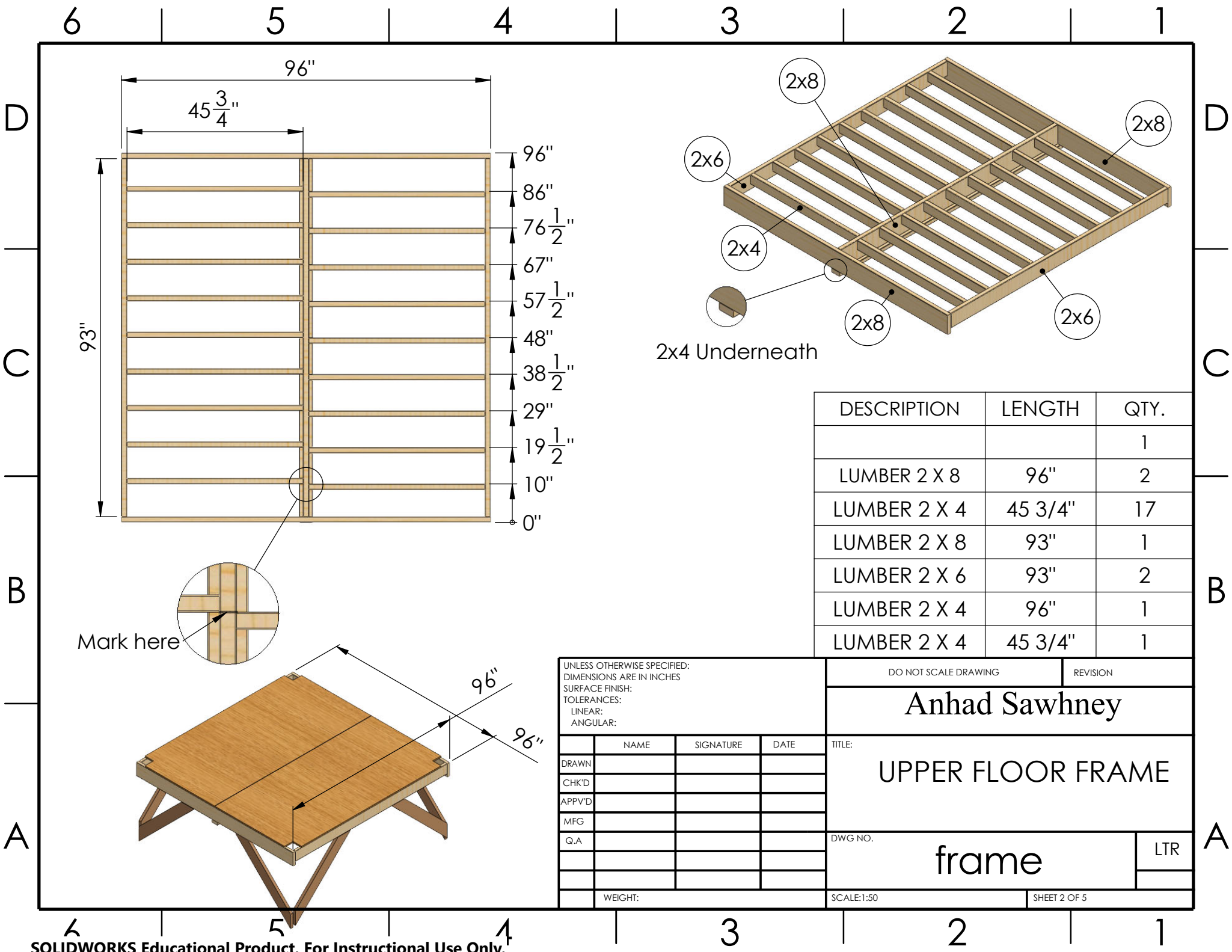
Mark here



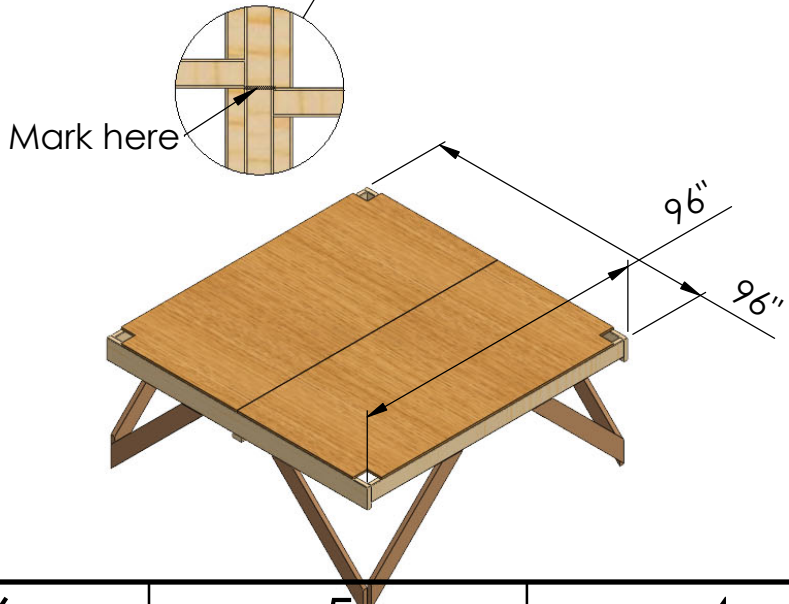
A

A

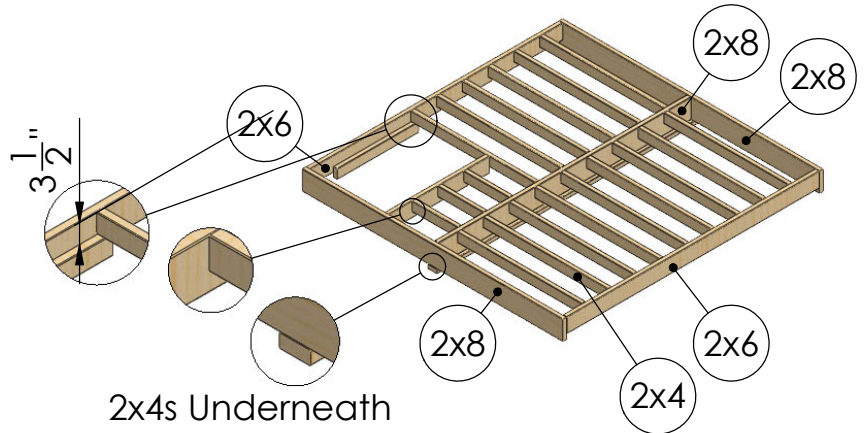
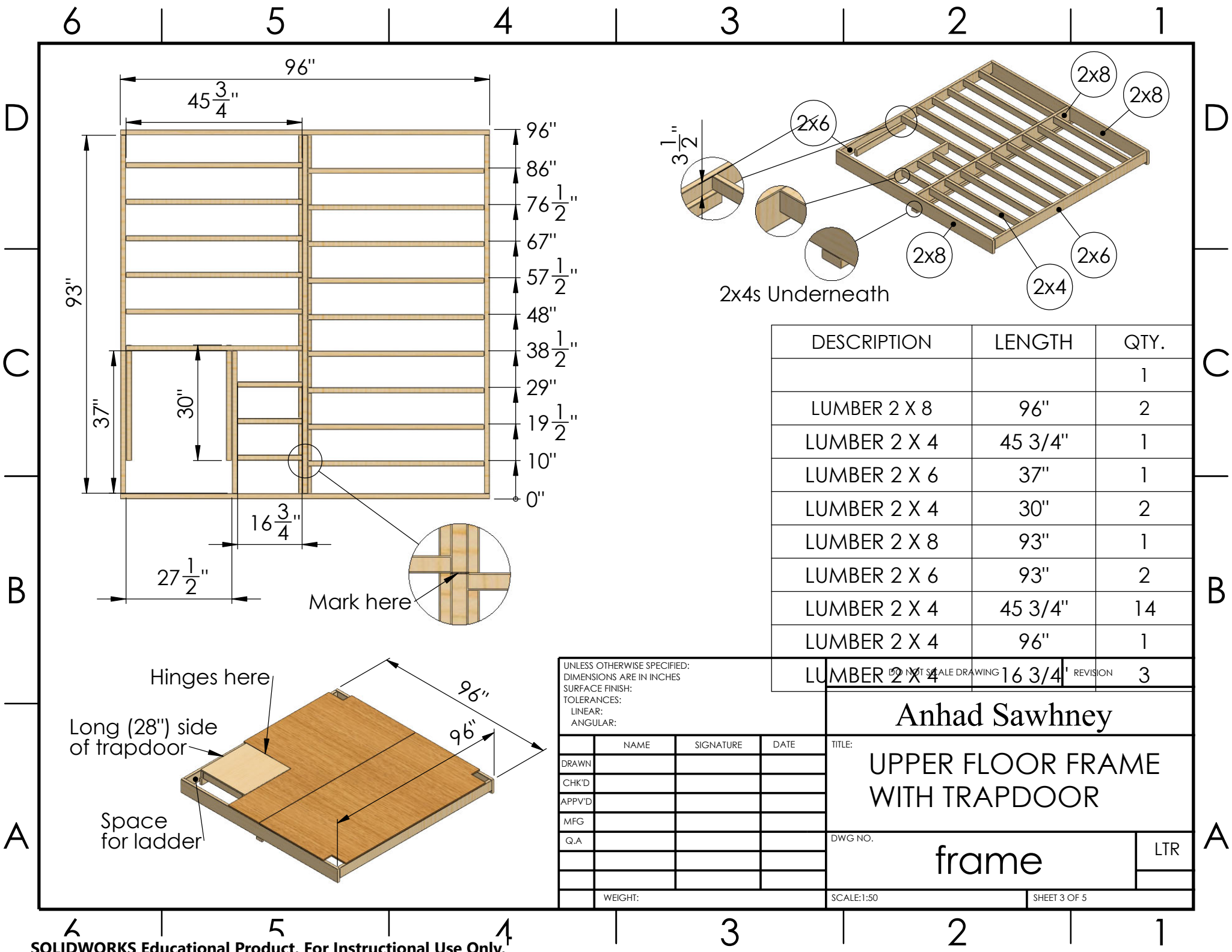
UNLESS OTHERWISE SPECIFIED: DIMENSIONS ARE IN INCHES SURFACE FINISH: TOLERANCES: LINEAR: ANGULAR:				DO NOT SCALE DRAWING		REVISION 3	
Anhad Sawhney							
DRAWN				TITLE: FIRST FLOOR FRAME ALL 2x4			
CHK'D				DWG NO.			
APPV'D							
MFG				frame			
Q.A							
WEIGHT:				SCALE:1:50		SHEET 1 OF 5	



DESCRIPTION	LENGTH	QTY.
		1
LUMBER 2 X 8	96"	2
LUMBER 2 X 4	45 3/4"	17
LUMBER 2 X 8	93"	1
LUMBER 2 X 6	93"	2
LUMBER 2 X 4	96"	1
LUMBER 2 X 4	45 3/4"	1



UNLESS OTHERWISE SPECIFIED: DIMENSIONS ARE IN INCHES SURFACE FINISH: TOLERANCES: LINEAR: ANGULAR:				DO NOT SCALE DRAWING		REVISION																							
				<h1>Anhad Sawhney</h1>																									
<table border="1"> <tr><td> </td><td>NAME</td><td>SIGNATURE</td><td>DATE</td></tr> <tr><td>DRAWN</td><td> </td><td> </td><td> </td></tr> <tr><td>CHK'D</td><td> </td><td> </td><td> </td></tr> <tr><td>APP'V'D</td><td> </td><td> </td><td> </td></tr> <tr><td>MFG</td><td> </td><td> </td><td> </td></tr> <tr><td>Q.A</td><td> </td><td> </td><td> </td></tr> </table>		NAME	SIGNATURE	DATE	DRAWN				CHK'D				APP'V'D				MFG				Q.A				TITLE:			<h2>UPPER FLOOR FRAME</h2>	
	NAME	SIGNATURE	DATE																										
DRAWN																													
CHK'D																													
APP'V'D																													
MFG																													
Q.A																													
WEIGHT:			DWG NO.																										
SCALE: 1:50			<h1>frame</h1>		LTR																								
SHEET 2 OF 5																													



DESCRIPTION	LENGTH	QTY.
		1
LUMBER 2 X 8	96"	2
LUMBER 2 X 4	45 3/4"	1
LUMBER 2 X 6	37"	1
LUMBER 2 X 4	30"	2
LUMBER 2 X 8	93"	1
LUMBER 2 X 6	93"	2
LUMBER 2 X 4	45 3/4"	14
LUMBER 2 X 4	96"	1
LUMBER 2 X 4	16 3/4"	3

UNLESS OTHERWISE SPECIFIED:
 DIMENSIONS ARE IN INCHES
 SURFACE FINISH:
 TOLERANCES:
 LINEAR:
 ANGULAR:

	NAME	SIGNATURE	DATE
DRAWN			
CHK'D			
APPV'D			
MFG			
Q.A			

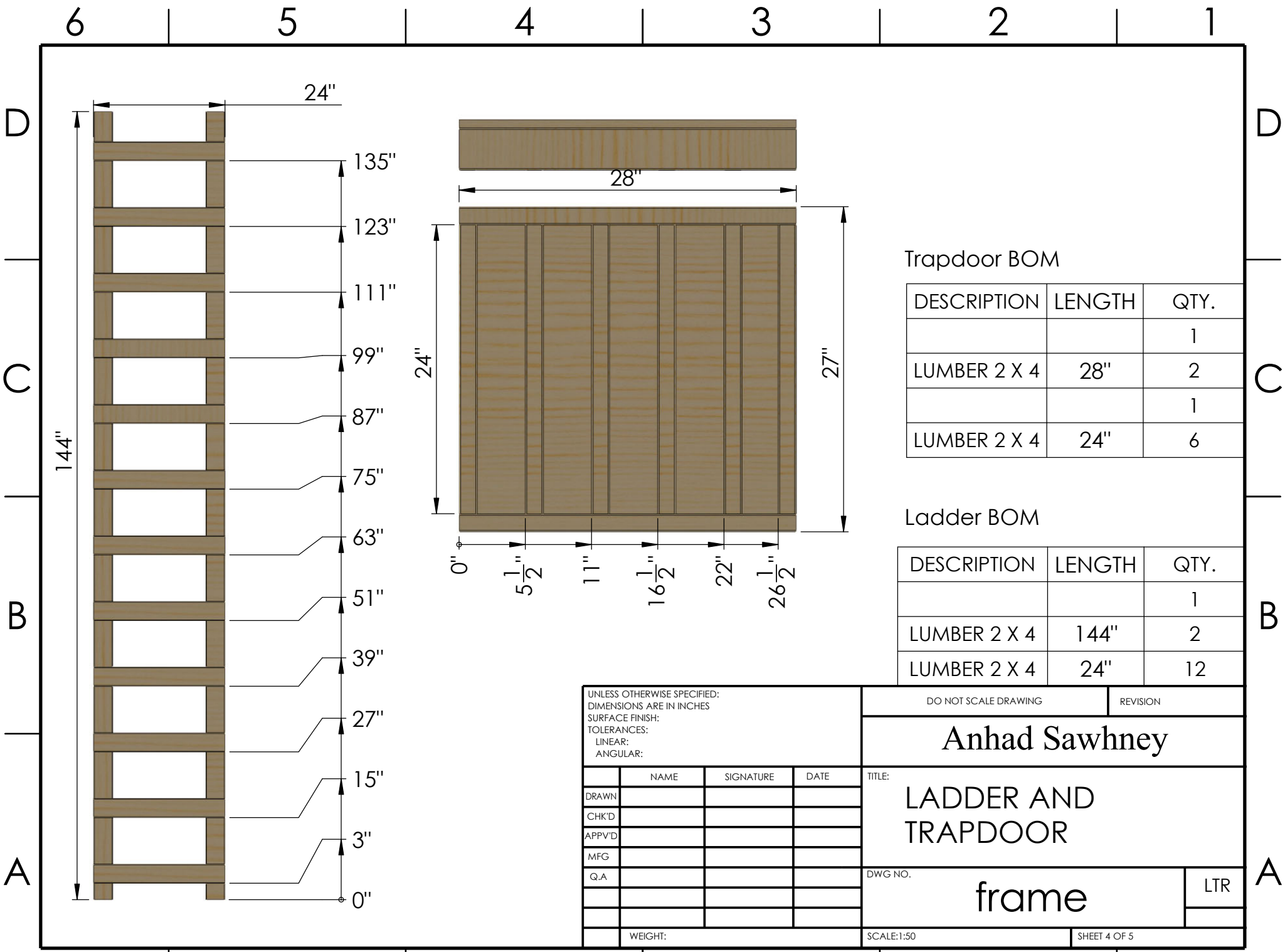
DO NOT SCALE DRAWING

Anhad Sawhney

TITLE: **UPPER FLOOR FRAME WITH TRAPDOOR**

DWG NO. **frame** LTR

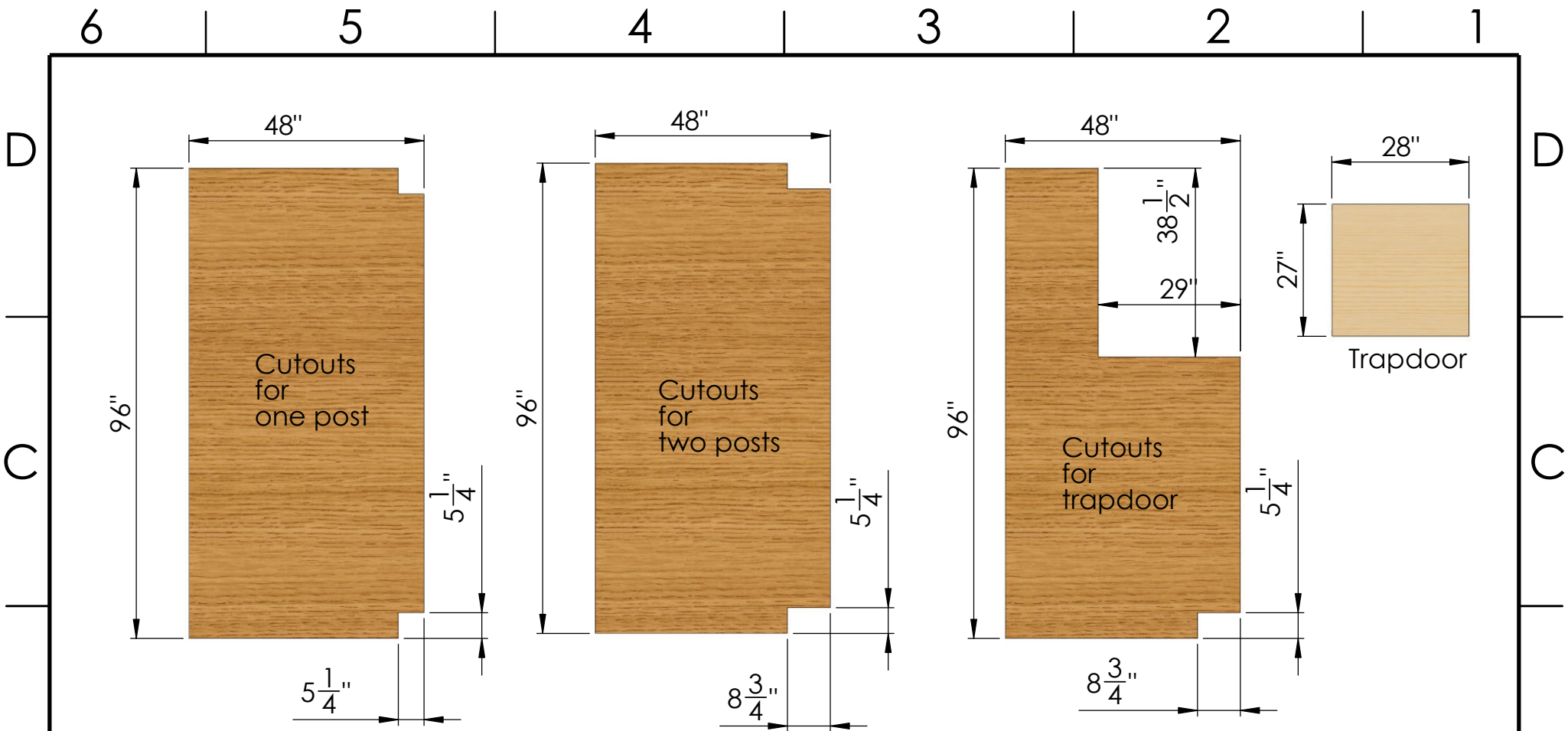
WEIGHT: SCALE:1:50 SHEET 3 OF 5



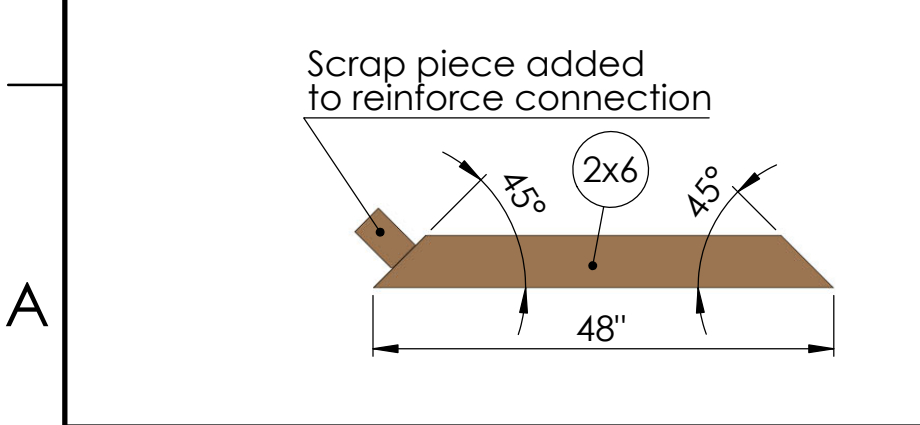
UNLESS OTHERWISE SPECIFIED:
 DIMENSIONS ARE IN INCHES
 SURFACE FINISH:
 TOLERANCES:
 LINEAR:
 ANGULAR:

	NAME	SIGNATURE	DATE
DRAWN			
CHK'D			
APP'V'D			
MFG			
Q.A			

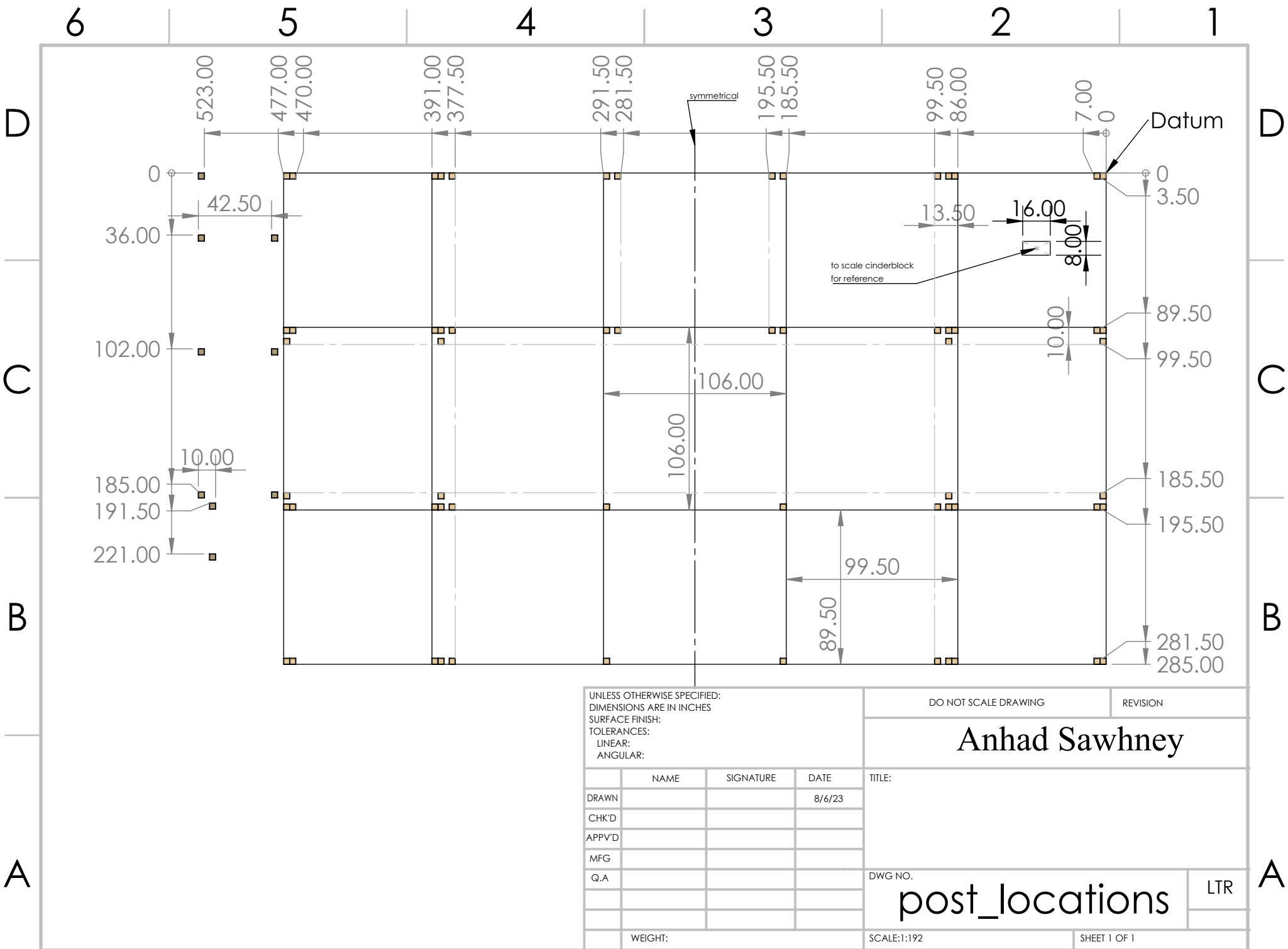
DO NOT SCALE DRAWING		REVISION
Anhad Sawhney		
TITLE: LADDER AND TRAPDOOR		
DWG NO. frame		LTR
WEIGHT:		SHEET 4 OF 5



All plywood is 21/32 in thick



UNLESS OTHERWISE SPECIFIED: DIMENSIONS ARE IN INCHES SURFACE FINISH: TOLERANCES: LINEAR: ANGULAR:				DO NOT SCALE DRAWING		REVISION	
				Anhad Sawhney			
				TITLE: PLYWOOD FOR FRAMES			
DRAWN				DWG NO.			
CHK'D				frame			
APPV'D							
MFG				LTR			
Q.A							
WEIGHT:				SCALE:1:50		SHEET 5 OF 5	



UNLESS OTHERWISE SPECIFIED:
 DIMENSIONS ARE IN INCHES
 SURFACE FINISH:
 TOLERANCES:
 LINEAR:
 ANGULAR:

DO NOT SCALE DRAWING REVISION

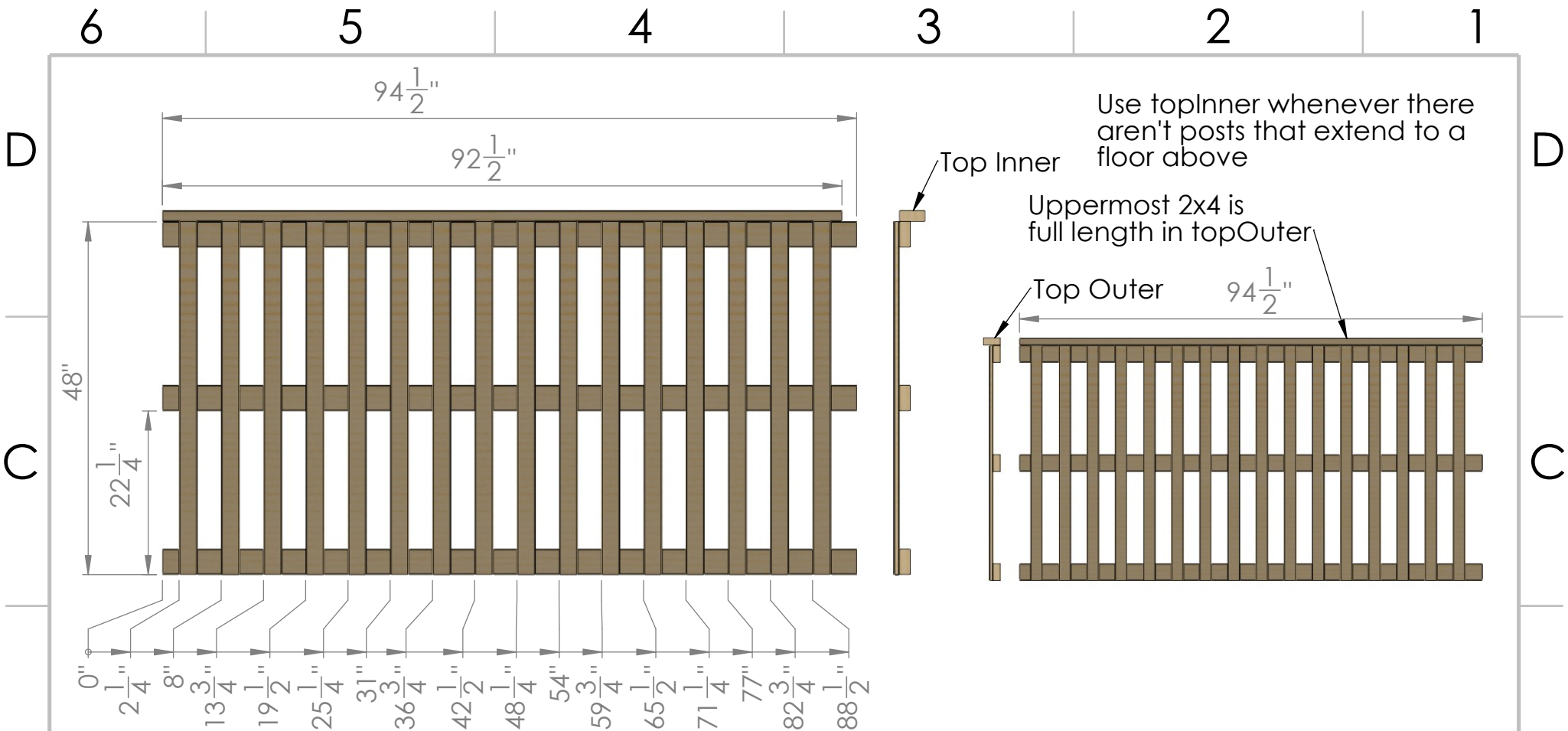
Anhad Sawhney

	NAME	SIGNATURE	DATE
DRAWN			8/6/23
CHK'D			
APP'VD			
MFG			
Q.A			

TITLE:
 DWG NO.
post_locations LTR

WEIGHT:

SCALE:1:192 SHEET 1 OF 1



Use top inner whenever there aren't posts that extend to a floor above

Uppermost 2x4 is full length in topOuter

DESCRIPTION	LENGTH	QTY.
		1
LUMBER 2 X 4	94 1/2"	3
LUMBER 1 X 3	48"	16
LUMBER 2 X 4	92 1/2"	1

This is 94.5" in topOuter

UNLESS OTHERWISE SPECIFIED:
 DIMENSIONS ARE IN INCHES
 SURFACE FINISH:
 TOLERANCES:
 LINEAR:
 ANGULAR:

DO NOT SCALE DRAWING			REVISION	
Anhad Sawhney				
DRAWN	NAME	SIGNATURE	DATE	TITLE:
CHK'D	Anhad		7/31	
APP'VD				
MFG				
Q.A				
WEIGHT:			DWG NO.	LTR
			railing	
SCALE:1:20			SHEET 1 OF 2	

6 5 4 3 2 1

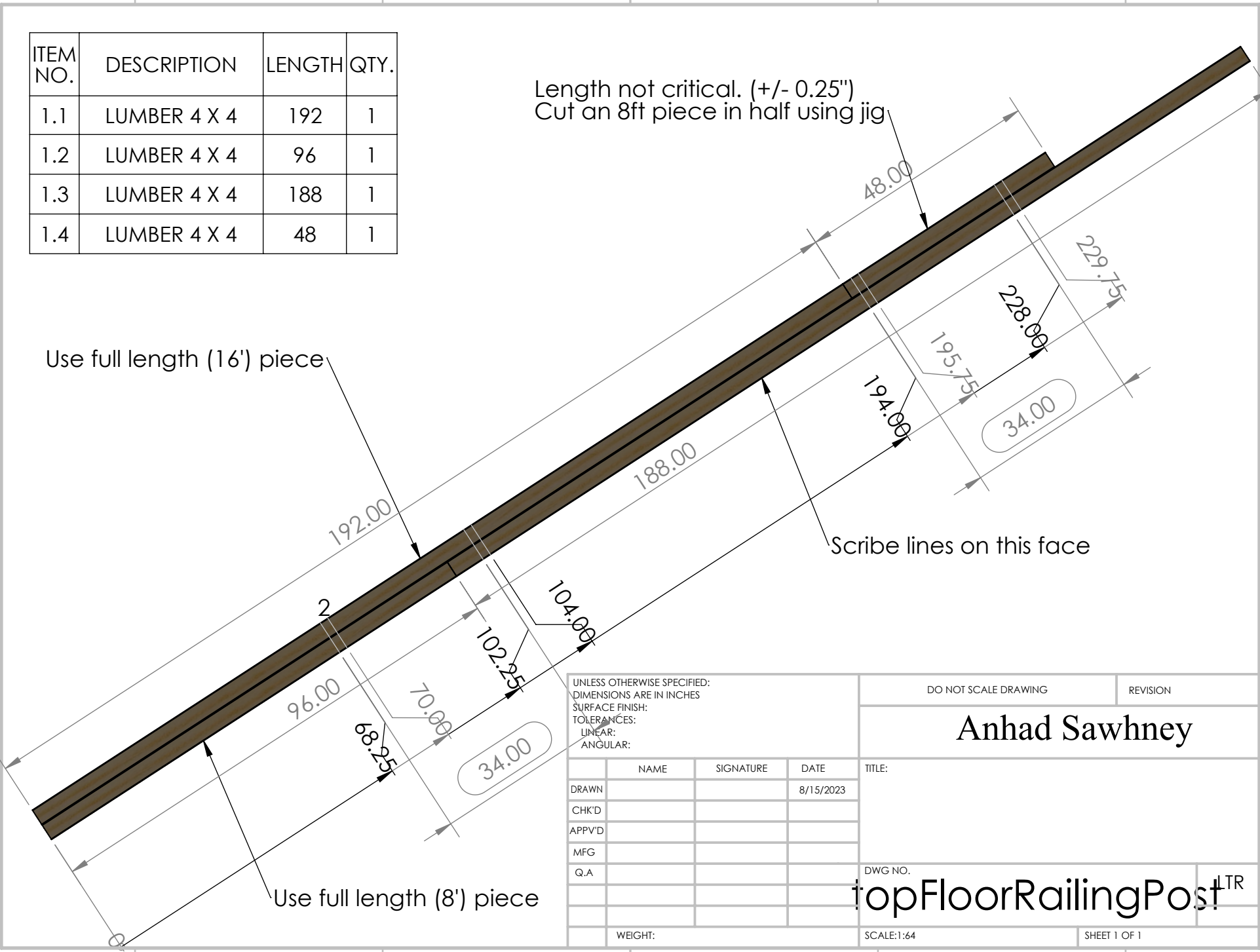
ITEM NO.	DESCRIPTION	LENGTH	QTY.
1.1	LUMBER 4 X 4	192	1
1.2	LUMBER 4 X 4	96	1
1.3	LUMBER 4 X 4	188	1
1.4	LUMBER 4 X 4	48	1

Length not critical. (+/- 0.25")
Cut an 8ft piece in half using jig

Use full length (16') piece

Use full length (8') piece

Scribe lines on this face



UNLESS OTHERWISE SPECIFIED:
DIMENSIONS ARE IN INCHES
SURFACE FINISH:
TOLERANCES:
LINEAR:
ANGULAR:

	NAME	SIGNATURE	DATE	TITLE:
DRAWN			8/15/2023	
CHK'D				
APP'VD				
MFG				
Q.A				

DO NOT SCALE DRAWING	REVISION
Anhad Sawhney	
TITLE:	
TopFloorRailingPost	
DWG NO.	LTR
WEIGHT:	SHEET 1 OF 1

D

C

B

A

D

C

B

A

6 5 4 3 2 1